

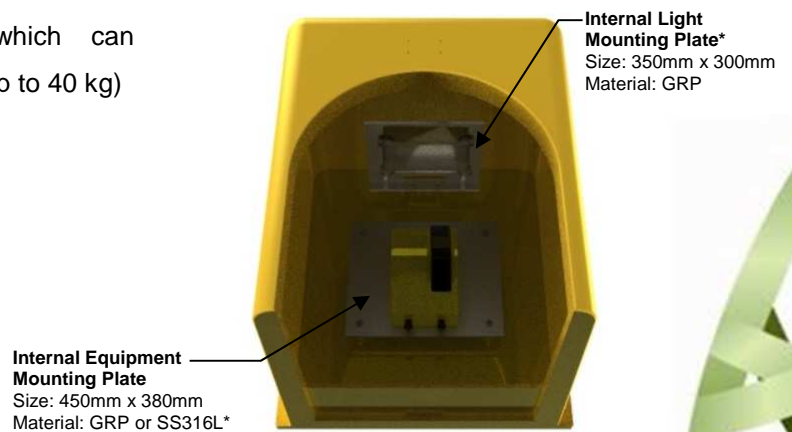
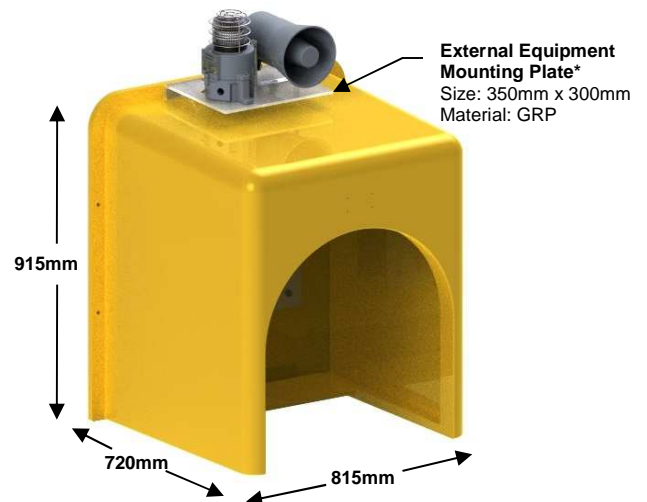
# Alphino TN High Performance 21.7dB Acoustic Hood



First of its kind in the market, Alphino Telephone Hoods are manufactured from fully Glass Reinforced Polyester materials (from main body to equipment mounting plate) therefore, especially suitable for marine, oil and gas environment. Our hoods are ergonomically designed and corrosion free in the most arduous climatic conditions. Its inner lining of acoustic absorption materials cut out extraneous noise and optimally improves audibility in highly ambient noisy environments.

## FEATURES

- ➔ UV stable and maintenance free Glass-fiber Reinforced Polyester (GRP) body and equipment mounting plate
- ➔ Fire retardant, GRP Class 1 to BS476 Pt 7
- ➔ High noise reduction up to **21.7 dB (tested by TUV)**
- ➔ Internal writing pad
- ➔ Mounting plate for internal lighting (optional)
- ➔ Mounting plate for external equipment such as sounder/ signal light (optional)
- ➔ Internal equipment mounting plate which can accommodate large & heavy equipment (up to 40 kg)
- ➔ Stainless Steel 316L screws & nuts



\*Optional Items



# Alphino TN High Performance 21.7dB Acoustic Hood



## ORDER INFORMATION



Body Color

External Equipment Mounting Plate

Internal Equipment Mounting Plate

Internal Light Mounting Plate

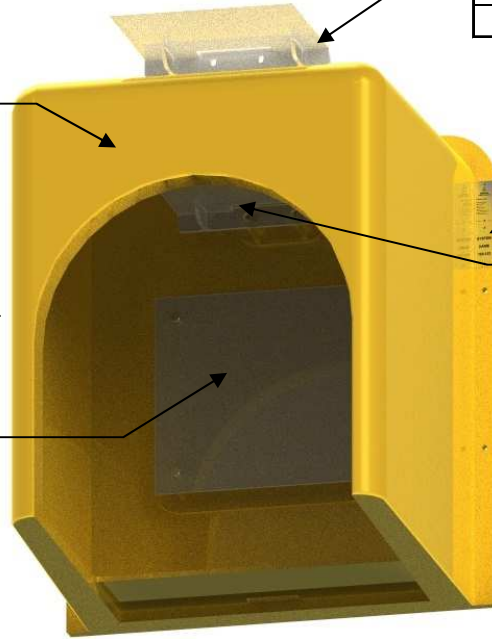
### External Equipment Mounting Plate

With GRP External Equipment Mounting Plate	E
Without External Equipment Mounting Plate	N

Body Color	
Yellow (RAL1021)	Y
Orange (RAL2004)	O
Red (RAL3020)	R
Other *	S

\*Other color available upon special request. Please indicate exact RAL color code.

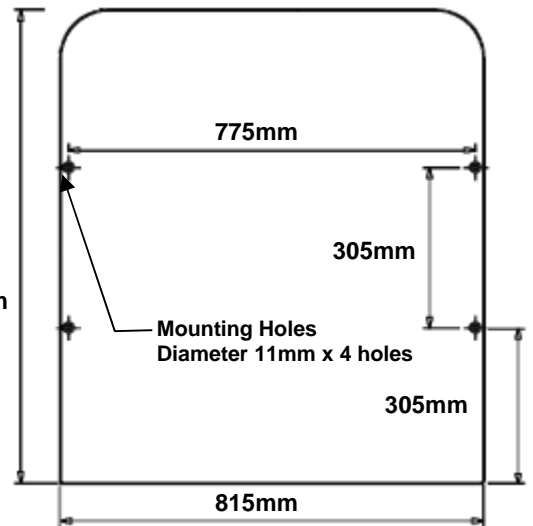
Internal Equipment Mounting Plate	
GRP	G
Stainless Steel SS316L*	S



Allocation for Name Tag  
Size: 38L x 83H mm

### Internal Light Mounting Plate

With GRP Internal Light Mounting Plate	L
Without Internal Light Mounting Plate	N



\*Optional Items

## TECHNICAL DATA

Body	UV Stable Glass-fiber Reinforced Polyester
Mean Noise Reduction	Up to 21.7 dB without Perforated Sheet & Rockwool
Weight	37.0 kg
Equipment Mounting Plate	UV Stable GRP, 5mm Thickness or Stainless Steel 316L 2mm Thickness, 450W x 380L (mm)
External Equipment Mounting Plate	UV Stable GRP, 8mm Thickness, 350W x 300L (mm)
Internal Light Mounting Plate	UV Stable GRP, 350W x 300L (mm)
All Screws and Nuts	Stainless Steel 316L

Note: Alphino reserves the right to change products' specifications without prior notice as our commitment to continuous improvement.

**Alphino Pte Ltd.** (Co. Reg. No.: 20110 6361R)  
 #03-110, 18 Boon Lay Way  
 18 @TradeHub 21  
 Singapore 609966  
 MAIN (65) 6686 4923 FAX (65) 6468 5819  
 Email: sales@alphino.com