



4W1-XE FEATURES

- ➔ Easily configurable 4-color beacons in single housing
- ➔ Variety of energy level from 5,10,15,21,25 & 30 Joules
- ➔ Flash rate of 60 fpm
- ➔ Changeable color domes with various color
- ➔ Improved inrush current and operating temperature characteristics
- ➔ Built in earth stud for Electrical safety grounding
- ➔ IP66 & IP67 rated water & dust ingress protected enclosure
- ➔ UV stable GRP housing and polycarbonate color dome
- ➔ Drop protection Stainless steel chain
- ➔ Provision for customer name tag
- ➔ Stainless steel 316L guard (optional) for dome Protection

4W1-XE offers users flexible selection in terms of color dome in a single housing with xenon lamp tube. **4W1-XE** caters improved inrush current and operating temperature characteristics.

4W1-XE Beacon Housing is manufactured from UV stable GRP housing and polycarbonate color dome, therefore, especially suitable for Oil and Gas, Offshore Platforms and Marine Industries.

4W1-XE Beacon is strictly designed for personal safety as well as for product reliability and best quality to operate in the most arduous climatic conditions.

4W1-XE comes with water resistance enclosure, cross-through earth stud for electrical safety grounding. Stainless steel guard for dome protection is also available as optional accessory. It also come with reverse polarity protection on power supply connection to protect accidental damage to beacon circuit due to wrong connection. Stainless steel chain for drop protection is provided so that the top part of the beacon will not drop as well as it is not required to be hold during the cable termination.

DIMENSIONS



TECHNICAL DATA

A) Current Consumption						
Operating Voltage	Average Current (mA)					
	5J	10J	15J	21J	25J	30J
110VAC	365	456	525	920	930	1000
230VAC	130	220	225	405	432	585
24VDC	650	920	1080	1340	1410	1600
48VDC	335	475	550	710	750	870

B) Light Output (effective Cd)						
	5J	10J	15J	21J	25J	30J
Effective Candela	227	371	508	518	627	636

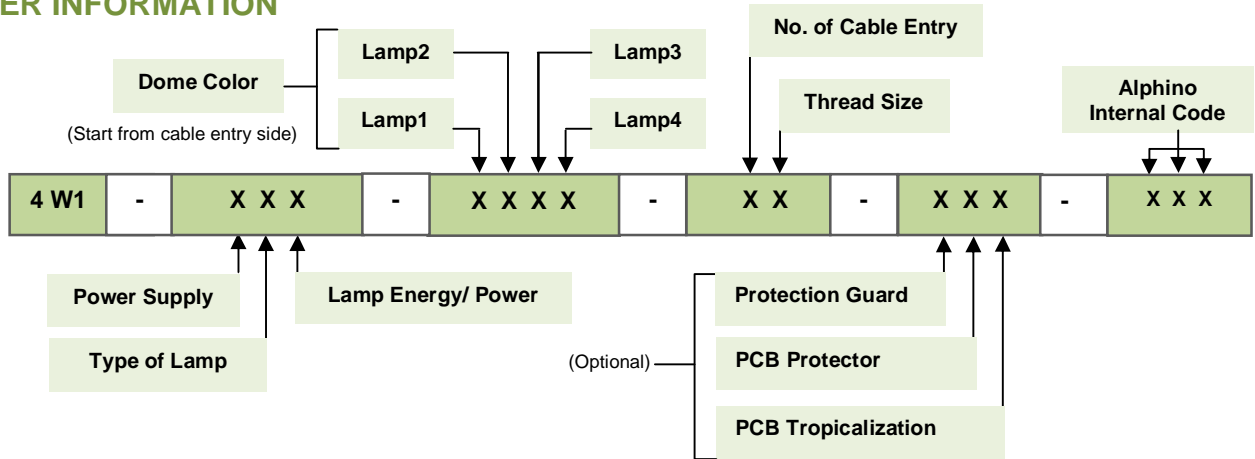
C) Multiplying Factor For Colored Lenses						
Clear	Yellow	Amber	Red	Blue	Green	
1.00	0.89	0.74	0.51	0.49	0.53	

D) General Specification:-	
Rated Input Voltage	110VAC, 230VAC, 50/60 Hz, 24VDC, 48VDC
Output Power/Flash Energy	5J, 10J, 15J, 21J, 25J, 30J
Flashes Per Minute (FPM)	60
Average Lifetime	11,000hr / 40,000,000 flashes
Operating Temperature	-40 °C to 70 °C @ Humidity 5% ~ 95%
Storage Temperature	-40 °C to 80 °C @ Humidity 5% ~ 95%
Ingress Protection	IP66 & IP67
Colors of Dome	Red, Green, Blue, Yellow, Amber, Violet, Clear (Other colors available as optional)
Cable Entry	2 x M25 (up to max of 4 entries; other entry sizes like NPT available as optional)
Mounting Positions	Any Direction
Without SS316L Guard	Dimension: 504L x 192W x 227H (mm), Weight: 5.7 kg
With SS316L Guard	Dimension: 504L x 192W x 240H (mm), Weight: 6.1 kg

Alphino 4W1-XE Weatherproof Xenon Beacon



ORDER INFORMATION

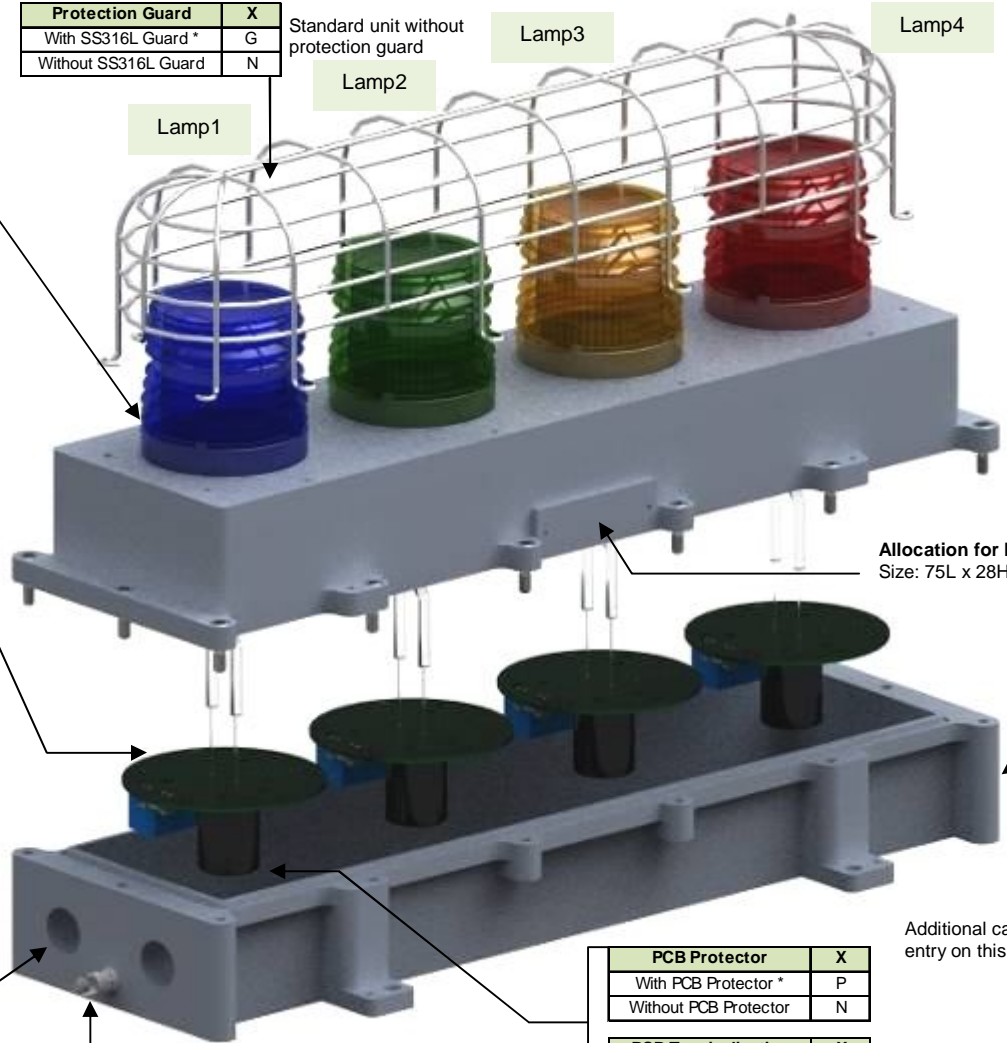


Dome Color	X	Color Code
Red	R	RAL 3028
Green	G	RAL 6029
Blue	B	RAL 5002
Yellow	Y	RAL 1021
Amber	A	RAL 2009
Violet	V	RAL 4006
Clear	C	-

Other dome colors available as optional.

Protection Guard	X
With SS316L Guard *	G
Without SS316L Guard	N

Standard unit without protection guard



Allocation for Name Tag Size: 75L x 28H mm

Additional cable entry on this side

SS316L M6 Earth Stud comes as standard

Power Supply	X
24 VDC	2
48 VDC	3
110 VAC	4
230 VAC	5

Lamp Energy/Power	X
Xenon	X
5 Joule	1
10 Joule	2
15 Joule	3
21 Joule	4
25 Joule	5
30 Joule	6

Note: 2 x M25 threaded entry holes as standard. Quantity and different threaded entry hole sizes available as optional.

No. of Cable Entry	X
Two	2
Three *	3
Four *	4

Thread Size	X
M25	3
3/4" NPT *	5
1" NPT *	6
1 1/4" NPT *	7
M32 *	8
M40 *	9

PCB Protector	X
With PCB Protector *	P
Without PCB Protector	N

PCB Tropicalization	X
With Tropicalization *	T
Without Tropicalization	N

Standard unit without PCB protector & tropicalization

* Optional Item/ Feature

Contact Information

Alphino Pte Ltd.
 (Co. Reg. No.: 20110 6361R)
 #03-110, 18 Boon Lay Way
 18 @TradeHub 21
 Singapore 609966
 MAIN (65) 6686 4923 FAX (65) 6468 5819
 Email: sales@alphino.com

