



2W2-XLS FEATURES

- ➔ *User-selectable steady, flash and running/rotating function*
- ➔ *Selectable flashing rates of 30, 60, 80, 100, 120, 180 (fpm)*
- ➔ *Changeable color domes with various color*
- ➔ *Polarity protection for DC models*
- ➔ *Built in earth stud for electrical safety grounding*
- ➔ *IP66 & IP67 rated water & dust ingress protected enclosure*
- ➔ *UV stable GRP housing and polycarbonate color dome*
- ➔ *Drop protection stainless steel chain*
- ➔ *Provision for customer name tag*
- ➔ *Stainless steel 316L guard (optional) for dome Protection*

2W2-XL is first of its kind in the market, offering users flexible selection in terms of flashing mode, flashing rate, color dome and input voltage in one single housing with Super Bright LED.

2W2-XL Beacon Housing is manufactured from UV stable GRP housing and polycarbonate color dome, therefore, especially suitable for Oil and Gas, Offshore Platforms and Marine Industries.

2W2-XL Beacon is strictly designed for personal safety as well as for product reliability and best quality to operate in the most arduous climatic conditions.

2W2-XL comes with water resistance enclosure, cross-through earth stud for electrical safety grounding. Stainless steel guard for dome protection is also available as optional accessory. It also come with reverse polarity protection on power supply connection to protect accidental damage to beacon circuit due to wrong connection. Stainless steel chain for drop protection is provided so that the top part of the beacon will not drop as well as it is not required to be hold during the cable termination.

DIMENSIONS



SPECIFICATIONS

| Operating Voltage | Peak Current (mA) under Steady Operation Mode (For A Single Lamp Only) |
|-------------------|------------------------------------------------------------------------|
| 12VDC | 600mA |
| 24VDC | 300mA |
| 48VDC | 160mA |
| 110VAC | 150mA |
| 230VAC | 100mA |

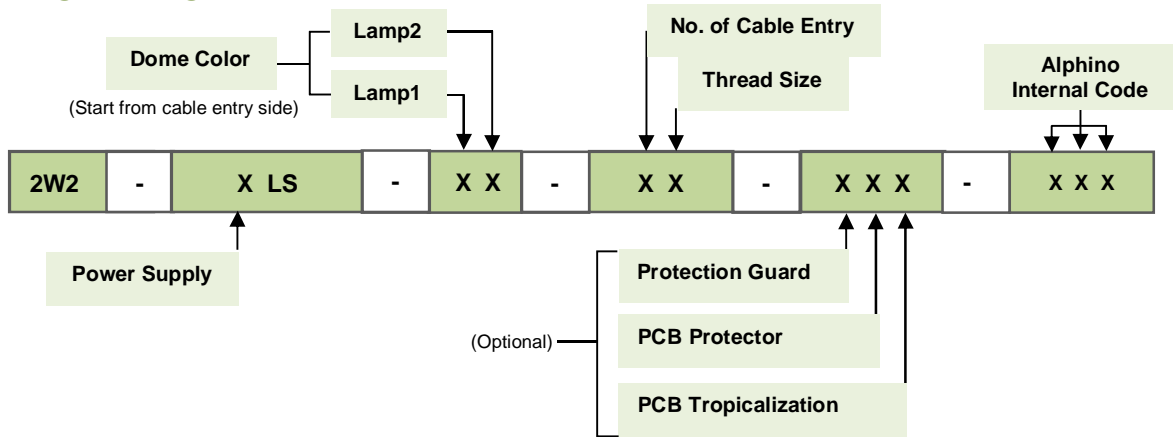
| Light Output (effective Cd)(For A Single Lamp Only):- | | | | | | | |
|-------------------------------------------------------|------------|--------|-------|-----|------|-------|--------|
| Mode | Dome Color | | | | | | |
| | Clear | Yellow | Amber | Red | Blue | Green | Purple |
| 60rpm | 353 | 269 | 179 | 73 | 49 | 72 | 90 |
| 60fpm | 323 | 256 | 162 | 68 | 49 | 73 | 78 |
| Steady | 192 | 177 | 111 | 41 | 30 | 47 | 48 |

| Lamp Type | |
|---------------------------|-------------------------------------------------------------------------------------|
| Rated Input Voltage | 110VAC, 230VAC : 50/60 Hz, 12VDC, 24VDC, 48VDC |
| Rotation Per Minute (RPM) | 30, 60, 80, 100, 120, 180 |
| Flashes Per Minute (FPM) | 30, 60, 80, 100, 120, 180 |
| Average Lifetime | 54,000 hours |
| Operating Temperature | -40 °C to 70 °C@ Humidity 5% ~ 95% |
| Storage Temperature | -40 °C to 80 °C@ Humidity 5% ~ 95% |
| Ingress Protection | IP66 & IP67 |
| Colors of Dome | Red, Green, Blue, Yellow, Amber, Violet, Clear (Other colors available as optional) |
| Cable Entry | 2 x M25 (up to max of 4 entries; other entry sizes like NPT available as optional) |
| Mounting Positions | Any Direction |
| Without SS316L Guard | Dimension: 305L x 202W x 227H (mm), Weight: 4 kg |
| With SS316L Guard | Dimension: 305L x 202W x 246H (mm), Weight: 4.2 kg |

Alphino 2W2-XLS Weatherproof LED Beacon



ORDER INFORMATION



| Dome Color | X | Color Code |
|------------|---|------------|
| Red | R | RAL 3028 |
| Green | G | RAL 6029 |
| Blue | B | RAL 5002 |
| Yellow | Y | RAL 1021 |
| Amber | A | RAL 2009 |
| Violet | V | RAL 4006 |
| Clear | C | - |

Other dome colors available as optional.

| Power Supply | X |
|--------------|---|
| 12VDC | 1 |
| 24VDC | 2 |
| 48VDC | 3 |
| 110VAC | 4 |
| 230VAC | 5 |

Note: 2 x M25 threaded entry holes as standard. Quantity and different threaded entry hole sizes available as optional.

| No. of Cable Entry | X |
|--------------------|---|
| Two | 2 |
| Three * | 3 |
| Four * | 4 |

| Thread Size | X |
|-------------|---|
| M25 | 3 |
| 3/4" NPT* | 5 |
| 1" NPT* | 6 |
| M32* | 8 |

SS316L M6 Earth Stud (comes as standard)

| PCB Protector | X |
|-----------------------|---|
| With PCB Protector * | P |
| Without PCB Protector | N |

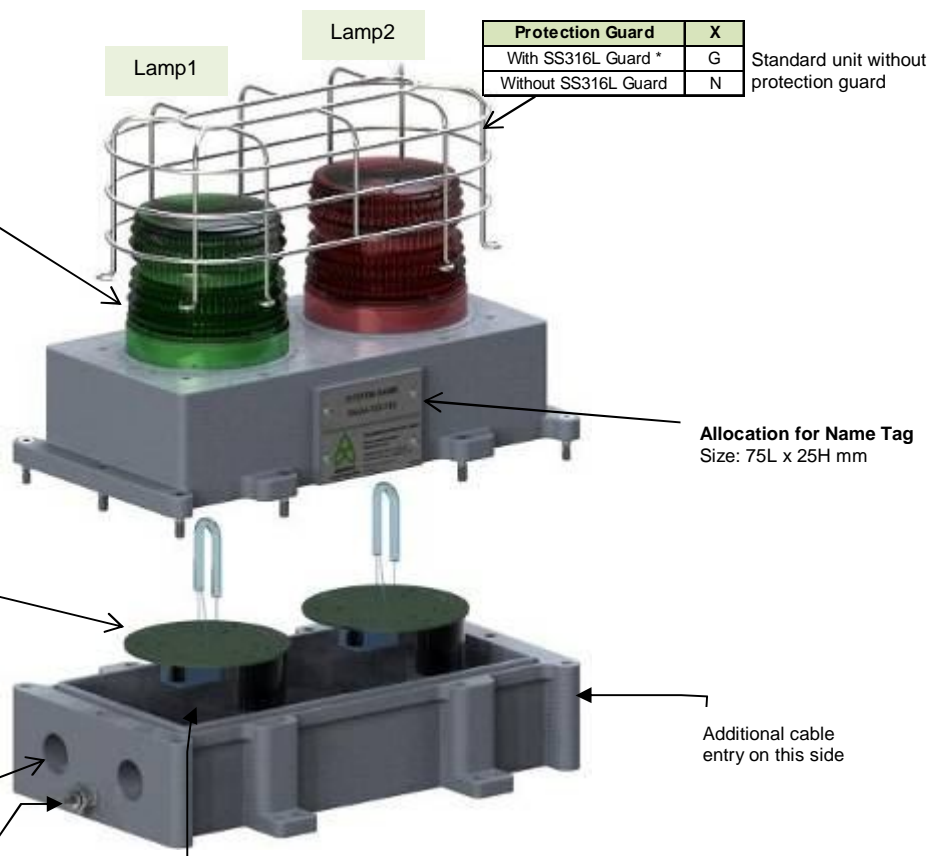
Standard unit without PCB protector & tropicalization

| PCB Tropicalization | X |
|-------------------------|---|
| With Tropicalization * | T |
| Without Tropicalization | N |

* Optional Item/ Feature

| Protection Guard | X |
|----------------------|---|
| With SS316L Guard * | G |
| Without SS316L Guard | N |

Standard unit without protection guard



Contact Information

Alphino Pte Ltd.

(Co. Reg. No.: 20110 6361R)

#03-110, 18 Boon Lay Way

18 @TradeHub 21

Singapore 609966

MAIN (65) 6686 4923

FAX (65) 6468 5819

Email: sales@alphino.com



Alphino reserves the right to change products' specifications without prior notice as our commitment to continuous improvement.