



1E3 XENON BEACON FEATURES

- ➔ For Hazardous Zone 1,2 ,21 and 22 use
- ➔ ATEX certified : Ex II 2 GD Ex db op is IIC T6-T3 Gb
Ex tb op is IIIC T85-T139 Db
- ➔ IECEx certified : Ex db op is IIC T6-T3 Gb
Ex tb op is IIIC T85-T139 Db
- ➔ Electropolished, corrosion free stainless steel 316L enclosure
- ➔ IP66 & IP67 ingress protection
- ➔ Lens protection guard made by stainless steel 316L (optional)
- ➔ Wide selection on Xenon lamp energy level from 5, 10, 15, 21, 25 & 30 Joule
- ➔ Highest lamp energy & brightness available in the market for 30J model
- ➔ Standard flash rate of 60 fpm
- ➔ Available with 110, 230 AC or 24/48 DC Voltage Input
- ➔ Telephone initiation capabilities (optional)
- ➔ Built-in connector for external earth wire connection as safety grounding



1E3 Xenon Beacon is certified for explosion proof (flame proof) protection and suitable for use in hazardous areas with flammable gases and combustible dusts.

1E3 Xenon Beacon offers premium reliability in strobe light operation with wide variety of Xenon lamp energy outputs. 30 Joule model offers highest available in the market in terms of lamp energy level and brightness.

1E3 Xenon Beacon provides better rating in term of inrush current and operating temperature characteristics therefore it is best suit to wide range of surface temperature limits and requirements to hazardous areas.

1E3 Xenon Beacon is strictly designed for personal safety as well as for product reliability and best quality to operate in the most arduous climatic conditions. It is also come with reverse polarity protection on power supply connection (for VDC power supply variants) so that to protect damage to beacon circuit due to accidental wrong connection.

1E3 Xenon Beacon, upon request, also can provides optional features such as telephone initiation interface for beacon activation.

1E3 Xenon beacon housing is manufactured with SS316L material with electropolished finish for high performance in corrosion resistance properties therefore, especially suitable for Oil & Gas, Offshore, Petrochemical, Marine and other harsh areas of highly corrosive environments.

1E3 Xenon Beacon housing meet ingress protection grade of IP66 & IP67 in accordance to IEC standard 60529 therefore it can be used in harsh weather/ marine environment as well as in areas required dust tight protection.

1E3 Xenon Beacon offers a standard 7 different color types as well as able to meet customer's request for customized color. As optional accessory, stainless steel guard for dome protection is also available upon request.

DIMENSIONS



TECHNICAL DATA

A) Current Consumption

Operating Voltage	Average Current (mA)					
	5J	10J	15J	21J	25J	30J
110VAC	365	456	525	920	930	1000
230VAC	130	220	225	405	432	585
24VDC	650	920	1080	1340	1410	1600
48VDC	335	475	550	710	750	870

B) Light Intensity (Effective Candela - cd)

	5J	10J	15J	21J	25J	30J
cd	100	230	290	330	390	440

C) Multiplying Factor For Colored Lenses

Clear	Yellow	Amber	Red	Blue	Green	Violet
1.00	0.60	0.50	0.33	0.10	0.39	0.33

Alphino 1E3 Explosion Proof Xenon Beacon



D) General Specification	
Input Voltage (AC)	110VAC, 230VAC, 50/60 Hz
Input Voltage (DC)	24VDC, 48VDC
Output Power/Flash Energy	5J, 10J, 15J, 21J, 25J, 30J
Flashes Per Minute (FPM)	60
Ingress Protection	IP66 & IP67
Colors of Dome	Red, Green, Blue, Yellow, Amber, Violet, Clear (Other colors available as optional)
Cable Entry	M20, M25, ½"NPT, ¾"NPT (come with 2 entries as standard, up to max. of 3 entries as optional)
Mounting Positions	Any Direction
Without SS316L Guard	Dimension: 235H x 184L x 141D (mm), Weight: 4.4 kg
With SS316L Guard	Dimension: 242H x 184L x 141D (mm), Weight: 4.6 kg
Average Lifetime	11,000hours / 40,000,000 flashes

E) Certified Temperature			
Model Number	Input Voltage	Lamp Output	Certified Temperature
1E3-5E6	230VAC	30J	T3 for T amb -40°C to + 70°C T4 for T amb -40°C to + 65°C
1E3-5E5/ 1E3-5E4	230VAC	25J, 21J	T4 for T amb -40°C to + 70°C
1E3-5E3	230VAC	15J	T4 for T amb -40°C to + 70°C T5 for T amb -40°C to + 40°C
1E3-5E2/ 1E3-5E1	230VAC	10J, 5J	T4 for T amb -40°C to + 70°C T5 for T amb -40°C to + 55°C T6 for T amb -40°C to + 40°C
1E3-4E6/ 1E3-4E5/ 1E3-4E4	110VAC	30J, 25J, 21J	T4 for T amb -40°C to + 70°C
1E3-4E3/1E3-4E2/ 1E3-4E1	110VAC	15J, 10J, 5J	T4 for T amb -40°C to + 70°C T5 for T amb -40°C to + 55°C T6 for T amb -40°C to + 40°C
1E3-3E6/ 1E3-3E5/ 1E3-3E4 (48VDC) 1E3-2E6/ 1E3-2E5/ 1E3-2E4(24VDC)	24VDC, 48VDC	30J, 25J, 21J	T4 for T amb -40°C to + 70°C
1E3-3E3/1E3-3E2/ 1E3-3E1 (48VDC) 1E3-2E3/ 1E3-2E2/ 1E3-2E1(24VDC)	24VDC, 48VDC	15J, 10J, 5J	T5 for T amb -40°C to + 70°C T6 for T amb -40°C to + 60°C

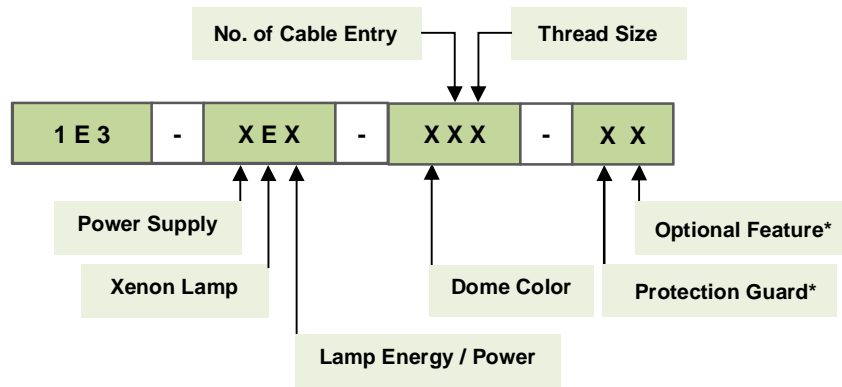
APPROVALS AND CERTIFICATES

IECEX	Certificate Number: IECEX PRE 17.0028X Issued By DNV-GL Nemko Presafe AS Certified to: IEC60079-0, IEC60079-1, IEC60079-28 & IEC 60079-31 Ex db IIC T6-T3 Gb Ex tb IIIC T85-T139 Db, IP66 & IP67
ATEX	Certificate Number: PRESAFE 17 ATEX 11772X Issued By DNV-GL Nemko Presafe AS Certified to: EN60079-0, EN60079-1, EN60079-28 & EN 60079-31 Ex II 2 GD Ex db IIC T6-T3 Gb Ex tb IIIC T85-T139 Db, IP66 & IP67



Alphino 1E3 Explosion Proof Xenon Beacon

ORDER INFORMATION



Lamp Energy/Power	X
Xenon	X
5 Joule	1
10 Joule	2
15 Joule	3
21 Joule	4
25 Joule	5
30 Joule	6

Power Supply	X
24VDC	2
48VDC	3
110VAC	4
230VAC	5

Note: 2 x M20 threaded entry holes as standard. Quantity and different threaded entry hole sizes available as optional.

No. of Cable Entry	X
Two	2
Three*	3

Thread Size	X
M20	2
M25*	3
½" NPT *	4
¾" NPT *	5

Standard unit does not come with guard.

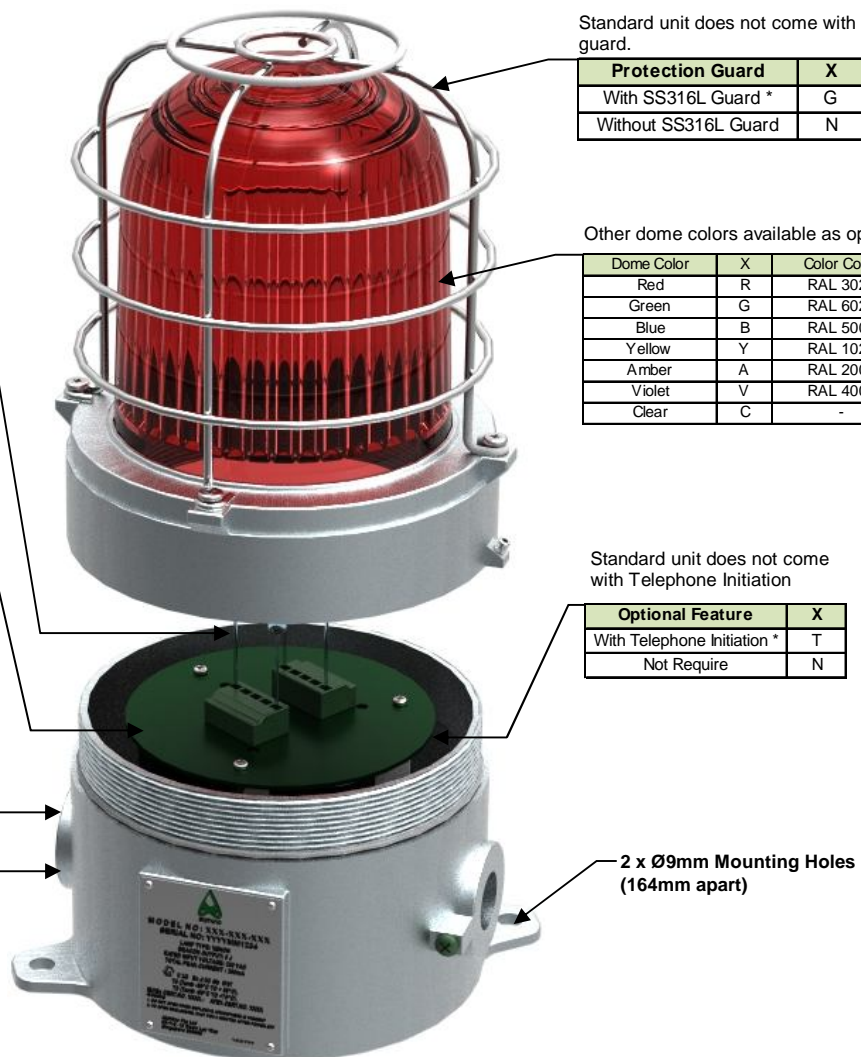
Protection Guard	X
With SS316L Guard *	G
Without SS316L Guard	N

Other dome colors available as optional.

Dome Color	X	Color Code
Red	R	RAL 3028
Green	G	RAL 6029
Blue	B	RAL 5002
Yellow	Y	RAL 1021
Amber	A	RAL 2009
Violet	V	RAL 4006
Clear	C	-

Standard unit does not come with Telephone Initiation

Optional Feature	X
With Telephone Initiation *	T
Not Require	N



2 x Ø9mm Mounting Holes (164mm apart)

Contact Information

Note: * Optional Item/Feature

Alphino Pte Ltd. (Co. Reg. No.: 20110 6361R)
 #03-110, 18 Boon Lay Way
 18 @TradeHub 21
 Singapore 609966
 MAIN (65) 6686 4923
 FAX (65) 6468 5819
 Email: sales@alphino.com

Alphino reserves the right to change products' specifications without prior notice as our commitment to continuous improvement.