



1E4 LED BEACON FEATURES

- ➔ For Hazardous Zone 1, 2, 21 and 22 use
- ➔ ATEX certified : Ex II 2 GD Ex db op is IIC T6 Gb
Ex tb op is IIIC T85 Db
- ➔ IECEx certified : Ex db op is IIC T6 Gb
Ex tb op is IIIC T85 Db
- ➔ IP66 & IP67 ingress protection
- ➔ UV stable glass reinforced polyester (GRP) enclosure & borosilicate glass dome
- ➔ Lens protection guard made by stainless steel 316L (optional)
- ➔ User selectable steady, flash and running/rotating modes
- ➔ Configurable flash rates as 30/60/120/150/180 fpm
- ➔ Available with 110~230 VAC, 12~48 VDC power supply
- ➔ Polarity protection for VDC models
- ➔ Telephone initiation capabilities (optional)
- ➔ Built-in connector (earth-stud) for external earth wire connection as safety grounding

1E4 LED Beacon is certified for explosion proof (optical radiation) protection as well as explosion proof (flame proof) protection and suitable for use in hazardous areas with flammable gases and combustible dusts.

1E4 LED Beacon is available with user adjustable modes such as steady, flashing and running/rotating. Flash rate can be configured as 30/60/120/150/180 fpm.

1E4 LED Beacon is strictly designed for personal safety as well as for product reliability and best quality to operate in the most arduous climatic conditions.

1E4 LED Beacon also comes with reverse polarity protection on power supply connection (for VDC power supply variants) so that to protect damage to beacon

1E4 LED Beacon also provides, upon request, optional features such as telephone initiation interface for beacon activation

1E4 LED Beacon enclosure is manufactured with GRP material, suitable for Oil & Gas, Offshore, Petrochemical, Marine and other harsh areas of highly corrosive environments.

1E4 LED Beacon enclosure meet ingress protection rating of IP66 & IP67 in accordance to IEC standard 60529 therefore it can be used in harsh weather/ marine environment as well as in areas required dust tight protections.

1E4 LED Beacon offers a standard 7 different color types as well as it is able to meet customer's request for customized color. As optional accessory, stainless steel guard for dome protection is also available upon request.

Alphino 1E4 Explosion Proof LED Beacon

DIMENSIONS



SPECIFICATIONS

A) Current Consumption

Operating Voltage	Peak Current (mA) under Steady Operation Mode
12VDC	600mA
24VDC	300mA
48VDC	160mA
110VAC	150mA
230VAC	100mA

B) Light Intensity (Effective Candela-cd)

Mode	Dome Color						
	Clear	Yellow	Amber	Red	Blue	Green	Purple
60rpm	121	61	49	30	49	43	34
60fpm	136	61	49	37	49	66	38
Steady	80	42	33	23	30	37	25

Alphino 1E4 Explosion Proof LED Beacon



C) General Specification	
Input Voltage (DC)	12~48 VDC
Input Voltage (AC)	100~240 VAC : 50/60 Hz
Rotation Per Minute (RPM)	30, 60, 80, 100, 120, 180
Flashes Per Minute (FPM)	30, 60, 80, 100, 120, 180
Average Lifetime	54,000 hours
Certified Temperature	T6 for Tamb -40°C to + 70°C
Ingress Protection	IP66 & IP67
Colors of Dome	Red, Green, Blue, Yellow, Amber, Violet, Clear (Other colors available as optional)
Cable Entry	M20, M25, ½"NPT, ¾"NPT (come with 2 entries as standard, up to max. of 3 entries as optional)
Mounting Positions	Any Direction
Without SS316L Guard	Dimension: 244H x 218L x 165D (mm), Weight: 3.5 kg
With SS316L Guard	Dimension: 259H x 218L x 165D (mm), Weight: 3.6 kg

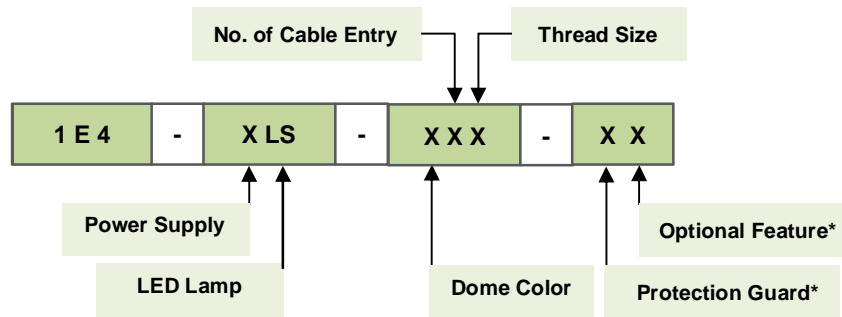
APPROVALS AND CERTIFICATES

IECEX	Certificate Number. IECEX PRE 18.0082X Issued By DNV-GL Nemko Presafe AS Certified to: IEC60079-0, IEC60079-1, IEC60079-28 & IEC 60079-31 Ex db op is IIC T6 Gb Ex tb op is IIIC T85 Db, IP66 & IP67.
ATEX	Certificate Number. PRESAFE 18 ATEX 10374X Issued By DNV-GL Nemko Presafe AS Certified to: EN60079-0, EN60079-1, EN60079-28 & EN 60079-31 Ex II 2 GD Ex db op is IIC T6 Gb Ex tb op is IIIC T85 Db, IP66 & IP67.



Alphino 1E4 Explosion Proof LED Beacon

ORDER INFORMATION



Power Supply	X
12~48 VDC	3
100~240 VAC	5

Note: 2 x M20 threaded entry holes as standard.
Quantity and different threaded entry hole sizes available as optional.

No. of Cable Entry	X
Two	2
Three*	3

Thread Size	X
M20	2
M25*	3
1/2" NPT*	4
3/4" NPT*	5

2 x Ø9mm Mounting Holes
(192mm apart)



Standard unit does not come with guard.

Protection Guard	X
With SS316L Guard *	G
Without SS316L Guard	N

Other dome colors available as optional.

Dome Color	X	Color Code
Red	R	RAL 3028
Green	G	RAL 6029
Blue	B	RAL 5002
Yellow	Y	RAL 1021
Amber	A	RAL 2009
Violet	V	RAL 4006
Clear	C	-

Standard unit does not come with Telephone Initiation

Optional Feature	X
With Telephone Initiation *	T
Not Require	N

* Optional Item/Feature

Contact Information

Alphino Pte Ltd. (Co. Reg. No.: 20110 6361R)
#03-110, 18 Boon Lay Way
18 @TradeHub 21
Singapore 609966
MAIN (65) 6686 4923
FAX (65) 6468 5819
Email: sales@alphino.com

Alphino reserves the right to change products' specifications without prior notice as our commitment to continuous improvement.